



Loyalty-Secu Electronics Co., LTD

www.loyalty-secu.com

Add: 5th Floor,1A Building, Yunantong Industrial Park
Longhua District,Shenzhen,518109, China.

Tel: 86-755-8837 0149

High Speed 22X IP PTZ Camera 1080P

LY-UIP-8W07

Main Features:

- **Full HD-IP 2MP/1080P @60FPS**
- **Lens: 22X Optical zoom, 52- 114.4mm**
- **6pcs OSRAM IR Array LEDs + 4pcs Laser LEDs, IR Distance up to 150M**
- **Free APP: EZView**
- **120db Optical Wide Dynamic Range**
- **AI Function: Face Detection & Auto Tracking, Multi-Behaviors Detection**
- **With POE & POE Injector, Full Metal Housing**
- **Built-in Microphone and Speaker, Two Way Audio**



Product Description

5 Inch 2MP 22X IP PTZ Camera Features:

- 6pcs OSRAM IR Array LEDs + 4pcs Laser LEDs, IR Distance 150M
- Built-in microphone and speaker, two way audio
- High Speed PTZ 0.05-240°/S, 360°all-frame endless rotation
- Behaviors detection: cross border detection, regional invasion, entering area, leaving area, wandering detection, rapid movement, personnel gathering, parking detection, items left behind, objects movement
- Face detection , passenger flow statistics, auto-tracking
- ONVIF protocol ,Uniview private protocol
- SUPPORT P2P, PC/iOS/Android remote control
- Built-in POE++ (48W)
- Full metal housing
- Weather-proof,waterproof:IP66, lighting protection: 6000V
- With standard 65W Super POE injector, POE transmission distance up to 200M
- Using the high accuracy stepping motor, work with the high performance motor driver, ensure the PTZ camera work under a stable, accurate, and less vibration condition
- Support watch position, power on action, idle action,4 pcs cruise scan, track scan, two point scan,360 degree scan

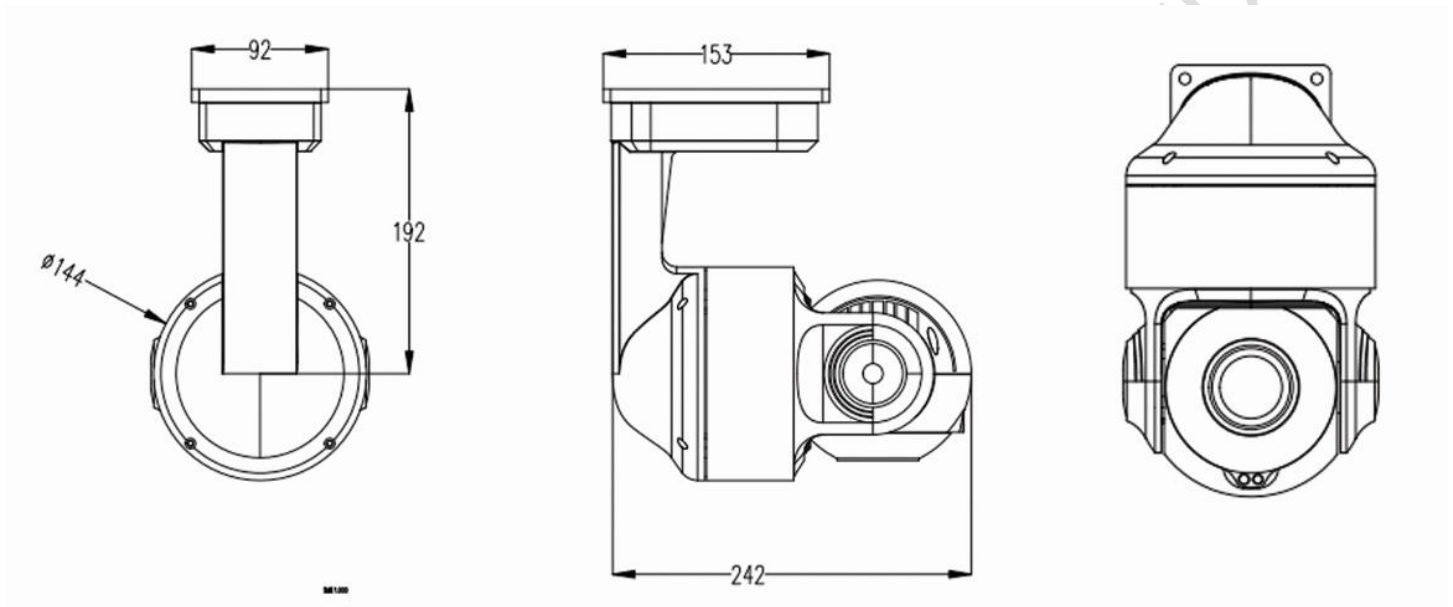
22X IP Network 1080P PTZ Camera Datasheet:

| | |
|----------------------|--|
| Camera | |
| Model | LY-UIP-8W07 |
| Camera Solution | Uniview Solution |
| Minimum Illumination | Color: 0.001Lux, B/W: 0.001Lux,0 Lux with IR (Starlight Ultra low illumination) |
| 3D NDR/WDR | Support |

| | |
|---------------------------|--|
| Electronic Shutter | AUTO |
| Day Night Mode | AUTO ICR Color to B/W |
| Focal Length: | 5.2-114.4mm,22X Optical Zoom |
| Zoom Speed | Approx.4s(Optical Wide~Tele) |
| Angle of View: | 55.4-2.9°(Wide-Tele) |
| Resolution | 1920(H)x1080(V) |
| Main Stream | 60fps:(1920×1080),(1280×960),(1280×720) |
| Sub Stream | D1,VGA,640×360 |
| Video Compression | H.265+/H.265/H.264 |
| Network protocol | HTTP/RTSP/RTMP/DHCP/NTP/ONVIF/NTP/UPNP/GB28181 |
| Interface protocol | ONVIF 2.4 , Uniview private protocol |
| AI function | Face Detection & Auto Tracking, Multi-Behaviors Detection |
| APP | EZView |
| PTZ Control | |
| IR Distance | 150m |
| Horizontal Range | 0°~360° continuously |
| Vertical Range | -5°~90° |
| Vertical/Horizontal Speed | 0.05°~240°/s |
| Max Speed | 240°/S |
| Preset | 256 |
| Patrol scan | 4pcs(10 preset for each) |
| L/R Scan | 1pc |
| Horizontal Scan | 1pc |
| Power-off memory | Support |
| PARK Action | Watch position/ Area Scan /Horizontal 360°scan/ Cruise |
| Watch position | Support |
| Wide angle speed limit | Focus / speed automatic matching function |
| General | |
| POE supply voltage | DC48V |
| POE Supply Pin | 1,2(+) 3,6(-) / 4,5(+) 7,8(-) Auto adapting (IEEE802.3at) |

| | |
|-------------------|--|
| Power/Consumption | DC12V/2A,<15W |
| Mounting | Wall mounting or lifting |
| Work environment | Temperature : -20~60°C; Humidity<90% |
| Protection level | IP66 waterproof, 6000V lightning protection |
| GW(KG) | 2.5KG |

Product Dimension:



Loyalty-Secu