



## Shenzhen Loyalty-Secu Technology Co., LTD

[www.loyalty-secutech.com](http://www.loyalty-secutech.com)

Add: 5th Floor,1A Building, Yunantong Industrial Park  
Longhua District,Shenzhen,518109, China.

Tel: 86-755-8837 0149

### Solar Powered 2MP 4G PTZ Camera

#### LY-SPS-6GF2

#### Main Features:



120W 40AH Intelligent Solar Power Kit



- Full HD-IP 1080P ,Camera Solution:  
Hi3516EV200+Sony307
- Lens: 4.7- 94mm, 20X Optical zoom
- IR Distance Up to 350m
- Network Connection: 2G/3G/4G
- APP: “CamHi” , Support SD Card Storage
- Solar Panel: 18V/120W Monocrystalline silicon
- Battery Type: 12V 40AH EV MnNiCo ternary  
18650 Lithium
- Support two way audio intercom
- 2 PCS \* Solar Panel Size: 59\*67\*3CM

## Solar 4G PTZ Camera Description

4G Fishpond PTZ Dome camera is specially designed for fishpond cultivation which with low power capture function. This 4G PTZ Camera adopting the latest 4G technology, achieve the remote HD image capture and HD video transmission, meanwhile, this 4G Camera with the AI function when detect the surveillance area is abnormal, will trigger the realtime alarm to remind the users.

Loyalty-Secu 4G Fishpond PTZ Camera with low power consumption, lightweight feature, perfectly work with our intelligent solar surveillance power kit, easy for installation, time ,energy and money saving. The high quality 4G PTZ Camera equipped with the corresponding smart solar power kit, are widely applied to fishpond, water reservoir, mine, seaside, forest zone, prairie and other locations where solar power supply is the best solution.

### **Solar powered Fishpond 4G PTZ camera selling point:**

- \* Truly cablefree
- \* 2MP/1080P resolution
- \* 20X Optical Zoom,work distance up to 350m
- \* With 4G and network cable interface for internet connection
- \* Equipped with the intelligent solar power kit for power supply
- \* Low power ,SD Card for data storage

### **Cablefree :**

With the solar power supply system, the PTZ Camera connect to the internet via 4G network directly, eliminated the cable fixing& unstable power supply issues, energy & money saving. Support SD card storage (Max 128GB),FTP upload.

### **4G & Network Cable Interface:**

This 4G PTZ Camera with 4G & Network Cable Interface two methods for internet connection. If the 4G internet not stable or users need a much higher data transmission or need a money saving after huge 4G flow cost, can use the network cable directly.

## **Solar powered 4G PTZ Camera Details Description:**

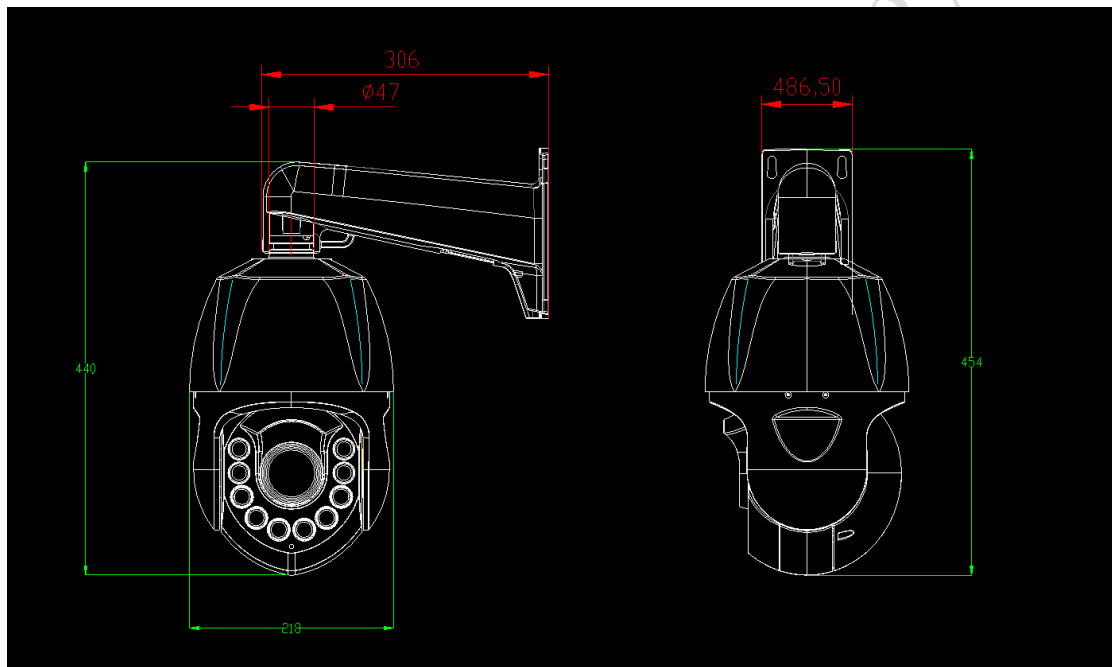
- 2MP/1080P (Hi3516EV200+Sony307) 20X Zoom (4.7-94mm)
- 6 PCS Array LEDs+ 4 PCS Laser LEDs , Work Distance up to 350M
- 360° all-frame endless rotation;
- Using the high accuracy stepping motor, work with the high performance motor driver, ensure the PTZ camera work under a stable, accurate, and less vibration condition.
- All metal, Anti-low & high temperature, IP66 Waterproof, weatherproof design
- Networking Method (4G or Network Cable): 2G:GPRS/EDGE, 3G:WCDMA/TD-CDMA, 4G:FDD-LTE/TDD-LTE
- SSID can be set to hide or open, SSID name & password can be modified
- Wired internet connection function: When a wired internet is available, can turn off 4G, switch to network cable connection
- P2P: Plug & play, Support QR code scanning for viewing on iPhone and android devices.
- Breakage self-test repair: When the PTZ Camera is suddenly enters to offline, the reconnection operation will start at every 2 minutes.
- Support ONVIF, Static IP and dynamic IP (DHCP)
- Motion detection, email alert, FTP upload
- With Built-in SD card slot(Max 128GB)
- Support: Power off memory/Presets/4 groups cruise/A-B scan/360° auto-scan

## Solar Powered 4G PTZ Security Camera Datasheet

Model	<b>LY-SPS-6GF2</b>
<b>Camera Info</b>	
Camera solution	Hi3516EV200+Sony307
Pixel/Resolution	2MP/1920*1080
APP	CamHi
Lens	4.7mm~94mm
Zoom	20X Optical Zoom
Minimum illumination	0.01Lux
Day/night mode	Support IR-cut
Work distance	350M
Storage function	SD Card(Max 128GB)
Motion detection	4 separate test groups can be set (Sensitivity can be set)
Alarm linkage	Send pictures by Email, pictures and videos upload to the FTP server;
Manual speed	0.5-60°/S
Preset speed	60°/S
OSD	OSD name, time, date, information overlay
Video processing	H.265
Network interface	1 RJ45 Ethernet interfaces ,10/100M self-adaption; Support: CP/IP,HTTP,TCP,ICMP,UDP,ARP, IGMP,SMTP,FTP,DHCP,DNS,DDNS,NTP,UPNP,RTSP
Band information (customization is acceptable)	TDD-LTE: Band 38/39/40/41 FDD-LTE: Band 1/3 WCDMA: B1/B8 TD-SCDMA: Band 34/39 GSM/GPRS/EDGE: 900/1800
Preset	128
A-B Scan	1
cruise	4 groups
Preset number of cruise groups	10 preset/ groups
Waterproof grade	IP66
<b>Solar power system</b>	
Solar panel type	18V/120W Monocrystalline silicon
Solar panel size	67*59cm 2 PCS Solar Panel
Lithium battery type	12V-40AH EV MnNiCo ternary 18650 Lithium

Battery size	215*100*142mm
<b>Other</b>	
Installation method	Wall bracket/Pole Bracket
Lightning protection	4000V
Working temperature	(-20°C ~ +60°C)
Work days	≥8days (PTZ camera under the gloom & rainy weather continuous work)
GW	18KG

### Product Dimension:



## Solar Power Kit Quick Installation:

### 120W Solar Power Kit Quick Installation



**S1/S2:** Attach the solar panel and bracket with 4 pcs screws



**S3/S4:** Open the solar output panel,  
**Red** connector: Positive +,  
**Black:** Negative -



**S5/S6/S7:** Attach the battery and bracket with 3 pcs long screws

**Battery 12V:** 12V output connect to the camera