



Shenzhen Loyalty-Secu Technology Co., LTD

www.loyalty-secutech.com

Add: 5th Floor,1A Building, Yunantong Industrial Park
Longhua District,Shenzhen,518109, China.
Tel: 86-755-8837 0149

Cablefree Mini 1080P 4G PTZ Camera

LY-SPS-3SG4-V

Main Features:

- Full HD-IP 1080P ,Camera Solution:
Hi3516EV200+Sony307
- Lens: 2.8- 12mm, 4X Optical zoom
- 4PCS Array LEDS +4 PCS Warm Lights ,IR
Distance Up to 50m
- Network Connection: WiFi/2G/3G/4G
- APP: “CamHi” , Support SD Card Storage
- Solar Panel: 18V/60W Monocrystalline silicon
- Battery Type: 12V 20AH EV MnNiCo ternary
18650 Lithium
- Support two way audio intercom
- Solar Panel Size: 59*67*3CM



Solar 4G PTZ Camera Description

1. Cablefree :

With the solar power supply system, the PTZ Camera connect to the internet via 4G network directly, eliminated the cable fixing& unstable power supply issues, energy & money saving. Support SD card storage (Max 128GB),FTP upload.

2. Solar Power System

- ✧ Equipped with the high quality monocrystalline silicon solar panel+ EV MnNiCo ternary 18650 Lithium battery.
- ✧ **Intelligent solar power system:**
 - 1> With the realtime monitoring for the solar panel work condition, lithium battery's work condition and the transformation of load power consumption.
 - 2> **Accept the solar power supply system customization.**
- ✧ Adopting the newest PID software algorithm, achieve the Maximum power point tracking (MPPT) for the solar panel system, ensure the most effective power input.
- ✧ With the frequency conversion lithium battery charging technology, accomplish the high effective charging process and high-accuracy lithium battery charging curve, Max charging efficiency can reach to 99%.
- ✧ With the built-in Ultra low power lithium battery protection function, includes: Over Charge, Over Discharge, Overcurrent, Short- circuit Protection, Temperature Detection, etc.
- ✧ New designed bracket , applied to the installation of any kind of bullet and PTZ Cameras

3. 4G PTZ Camera

- 2.0 Megapixel/1080P (Hi3516EV200+Sony307) 4X Zoom(2.8-12mm)
- 4 pcs Array LEDs + 4pcs Warm Light LEDs , IR Distance up to 50M

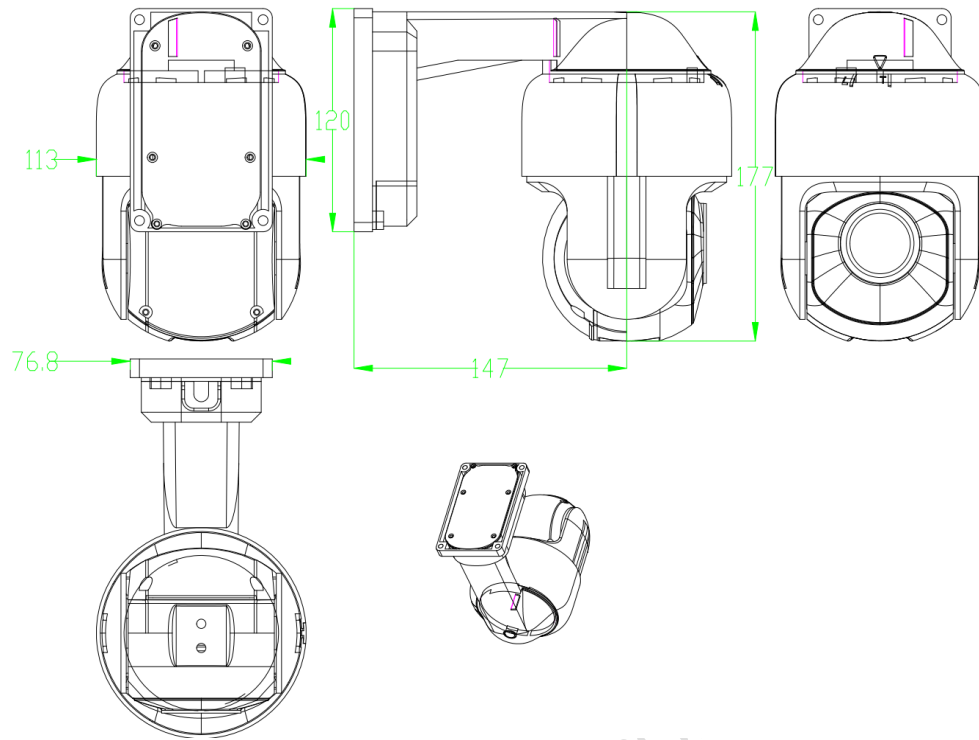
- 360° all-frame endless rotation;
- External WiFi antenna+ External 4G antenna
- Using the high accuracy stepping motor, work with the high performance motor driver, ensure the PTZ camera work under a stable, accurate, and less vibration condition.
- All metal, Anti-low & high temperature,IP66 Waterproof, weatherproof design
- Networking Method: 2G:GPRS/EDGE, 3G:WCDMA/TD-CDMA, 4G:FDD-LTE/TDD-LTE,Wi-Fi:802.11/b/g/n
- SSID can be set to hide or open, SSID name & password can be modified
- WiFi function: When a WiFi internet is available, can turn off 4G,switch to WiFi.
- P2P: Plug & play, Support QR code scanning for viewing on iPhone and android devices.
- Breakage self-test repair: When the PTZ Camera is suddenly enters to offline, the reconnection operation will start at every 2 minutes.
- Support ONVIF, Static IP and dynamic IP (DHCP)
- Motion detection, email alert, FTP upload
- With Built-in SD card slot(Max 128GB)
- Support: Power off memory/Presets/4 groups cruise/A-B scan/360° auto-scan

Solar 4G PTZ Camera Datasheet

Camera	
Model	LY-SPS-3SG4-V
Camera solution	Hi3516E+Sony307
Pixel/Resolution	2MP/1920*1080
APP	CamHi
Lens	2.8mm~12mm
ZOOM	4X Optical Zoom
Minimum illumination	0.01Lux
Day/night mode	Support IR-cut

Work distance	50M
Storage function	SD Card(Max 128GB)
Motion detection	4 separate test groups can be set (Sensitivity can be set)
Alarm linkage	Send pictures by Email, pictures and videos upload to the FTP server;
Manual speed	0.5-60°/S
Preset speed	60°/S
OSD	OSD name, time, date, information overlay
Video processing	Support H.265
Network interface	1 RJ45 Ethernet interfaces ,10/100M self-adaption; Support: CP/IP,HTTP,TCP,ICMP,UDP,ARP, IGMP,SMTP,FTP,DHCP,DNS,DDNS,NTP,UPNP,RTSP
Band information (customization is acceptable)	WiFi AP: 802.11/b/g/n TDD-LTE: Band 38/39/40/41 FDD-LTE: Band 1/3 WCDMA: B1/B8 TD-SCDMA: Band 34/39 GSM/GPRS/EDGE: 900/1800
Preset	50
A-B Scan	1
cruise	4 groups
Preset number of cruise groups	10 preset/ groups
Waterproof grade	IP66
Solar Power System	
Solar panel type	18V/60W Monocrystalline silicon
Solar panel size	67*59cm 1 PCS Solar Panel
Lithium battery type	12V-20AH EV MnNiCo ternary 18650 Lithium
Battery size	125*100*142mm
Installation method	Wall bracket/Pole Bracket
Lightning protection	4000V
Working temperature	(-20°C ~ +60°C)
Work days	≥3days (PTZ camera under the gloom & rainy weather continuous work)
GW	13KG

Product Dimension:



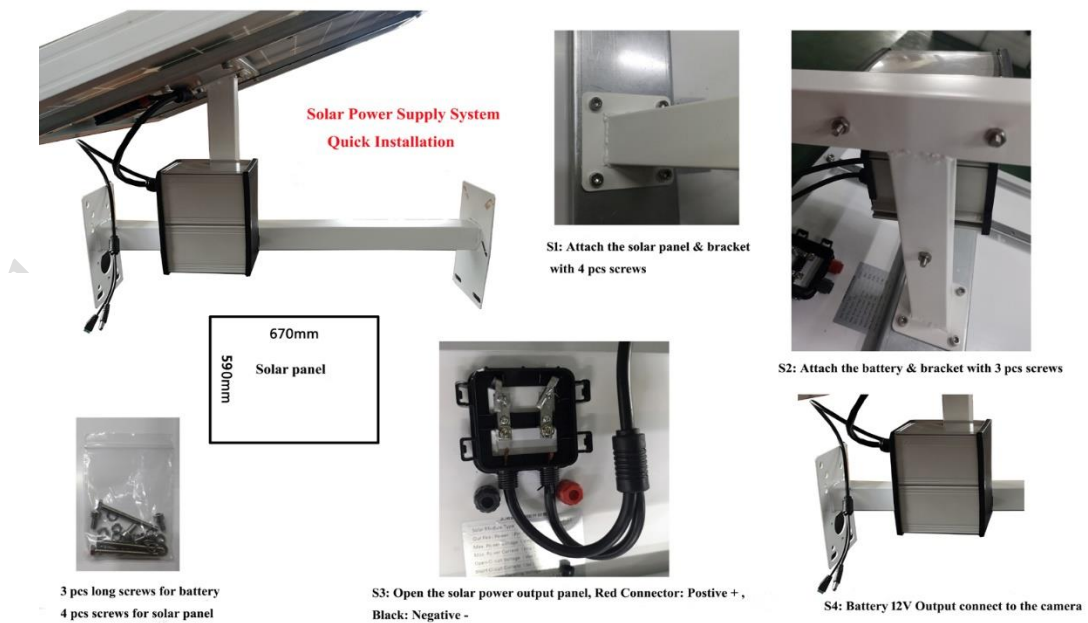
loyalty-secu Electric

60W 20AH Solar Power Kit Quick Installation:

60W Solar Power Kit Quick Installation



www.loyalty-secutech.com



www.loyalty-secutech.com