



Shenzhen Loyalty-Secu Technology Co., LTD

www.loyalty-secutech.com

Add: 5th Floor,1A Building, Yunantong Industrial Park
Longhua District,Shenzhen,518109, China.

Tel: 86-755-8837 0149

6 Inch 2MP IP 4G IP PTZ Camera

LY-WIP-6GW07

Main Features:



- 6 Inch 4G PTZ Camera
- HD 2MP , Camera Solution:
Hi3516EV200+Sony 307, 20X Zoom(4.7-94mm)
- Private Housing, with External Sim Card Slot
- Support Max 128GB SD Card
- Two Way Audio, Sound and Light Alarm
- Humanoid Detection and Alert Auto Tracking
- Network Selection: Auto 3G/4G mode
- 6 PCS Array LEDs+ 4 PCS Laser LEDs,IR
Distance up to 200M
- IP66 Waterproof, APP: CamHi
- Power Supply: 12V 4A

Description

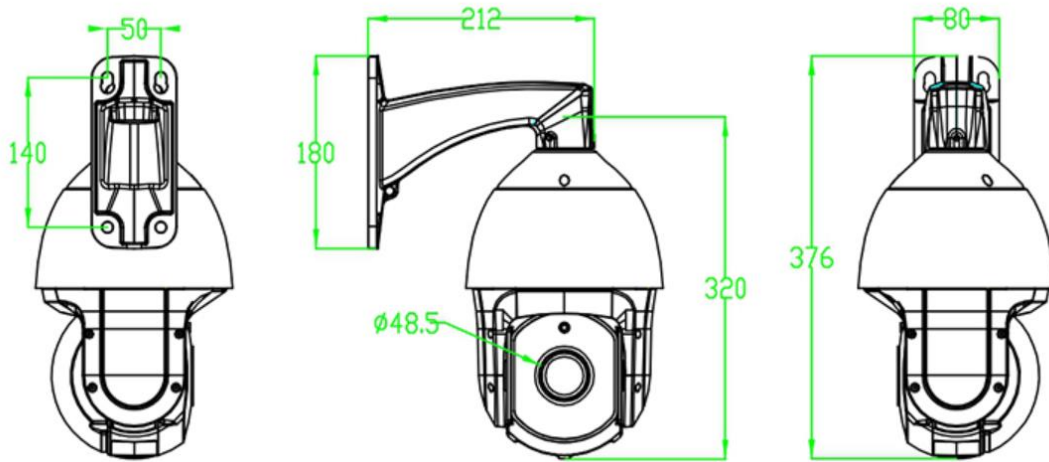
6 Inch 20X 4G PTZ IP Camera:

- 2MP/1080P (Hi3516EV200 +Sony307) 20X Zoom(4.7-94mm)
- 6 pcs Ceramic Array LEDs + 4pcs Laser LEDs , IR Distance up to 200M
- 360° all-frame endless rotation
- With humanoid detection and alert auto tracking function
- With high quality 4G antenna for signal transmission
- Using the high accuracy stepping motor, work with the high performance motor driver, ensure the PTZ camera work under a stable, accurate, and less vibration condition.
- All metal, Anti-low & high temperature, IP66 Waterproof, weatherproof design
- Networking Method: 2G:GPRS/EDGE, 3G:WCDMA/TD-CDMA, 4G:FDD-LTE/TDD-LTE
- SSID can be set to hide or open, SSID name & password can be modified
- P2P: Plug & play, Support QR code scanning for viewing on iPhone and android devices.
- Breakage self-test repair: When the PTZ Camera is suddenly enters to offline, the reconnection operation will start at every 2 minutes.
- Support ONVIF, Static IP and dynamic IP (DHCP)
- Motion detection, email alert, FTP upload
- With Built-in SD card slot (Max 128GB)
- Support: Power off memory/Presets/4 groups cruise/A-B scan/360° auto-scan

4G IR 20X PTZ Camera Datasheet:

Model	LY-WIP-6GW07
CPU	H3516EV200
Sensor	1/2.8" Sony CMOS IMX307
Resolution	1920(H)x1080(V)
Pixel	2MP
Auto-Tracking	Humanoid Detection and Alert Auto Tracking
APP	CamHi
Lens	20X Zoom (4.7~94mm)
Minimum Illumination	0.01Lux
Day/Night Mode	Support IR-cut
IR Distance	200M
Storage Function	Support 128G TF card max
Motion Detection	4 separate test areas can be set (Sensitivity can be set)
Alarm Linkage	Send pictures by Email; pictures and videos uploaded to the FTP server;
Manual Speed	0.5-40°/S
Preset Speed	40°/S
OSD	OSD name, time, date, information overlay
Video Processing	Support H.265/H.264
Network Interface	1 RJ45 Ethernet interfaces ,10/100M self-adaption; Support: CP/IP,HTTP,TCP,ICMP,UDP,ARP, IGMP,SMTP,FTP,DHCP,DNS,DDNS,NTP,UPNP,RTSP
Band Information	TDD-LTE: Band 38/39/40/41 FDD-LTE: Band 1/3 WCDMA: B1/B8 TD-SCDMA: Band 34/39 GSM/GPRS/EDGE: 900/1800
Presets	128
Audio Interface	1 input / 1 output
Cruise/ A-B Scan	4 groups/1
Preset Number of Cruise Groups	10 preset/ groups
Waterproof Grade	IP66
Lightning Protection	4000V
Working Temperature	(-20°C ~ +60°C)
GW	3.9KG

Product Dimension:



Shenzhen Loyalty-Secu Technology